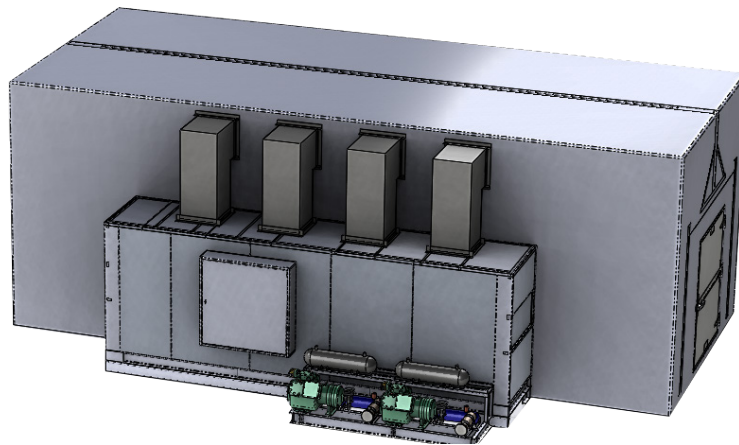


KEY FEATURES



Higher Quality Product

Our systems are capable of drying at lower temperatures, resulting in higher quality finished product.



Energy Efficient

Our systems utilize heat pumps, requiring up to 60% less energy than conventional dryers.



Reliable Performance

Our systems precise controls and innovative design gives consistent results with every drying cycle.



Easy Installation

Self contained units - no field piping required. Installation services are offered if preferred.



User Friendly

All of our units use intuitive touch screen controls with remote access capability.

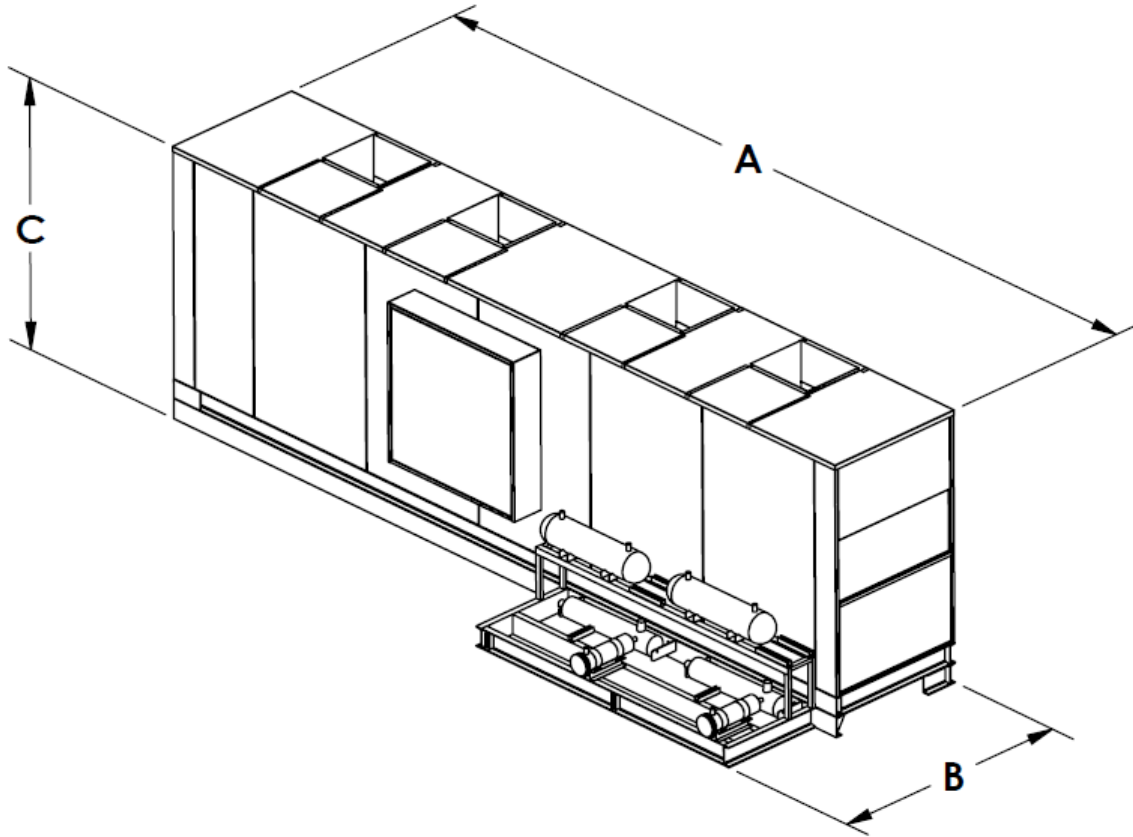


Tech Support

You get the straight answers you need from the professionals that design and build your systems.

Model	Nominal Capacity (lbs water/hr)	Total Rack Capacity		Temperature °F	Dried Product Capacity	
		Flower	Extraction		Flower	Extraction
CDS 145	145	108	36	60-120	1836	612
CDS 175	175	126	40	60-120	2142	680
CDS 225	225	168	56	60-120	2856	952
CDS 350	350	256	80	60-120	4352	1360
CDS 450	450	336	100	60-120	5712	1700
CDS 675	675	420	144	60-120	7140	2448

Note: In view of ongoing product improvements, designs and specifications are subject to change without notice. Cann Systems can accept no responsibility for possible errors in catalogs, brochures or any other printed material.



Dimensions (Dehydrator only)			
Model	A	B	C
CDS 145	8'6"	6'4"	6'6"
CDS 175	8'6"	6'4"	6'6"
CDS 225	10'10"	6'4"	6'6"
CDS 350	18'	6'4"	6'6"
CDS 450	21'	6'4"	6'10"
CDS 675	31'	6'4"	6'10"

*Additional 42" service space required beyond equipment length measurement.

CONTACT OUR PROFESSIONAL SALES REPRESENTATIVE TODAY TO REVIEW YOUR REQUIREMENTS

Note: In view of ongoing product improvements, designs and specifications are subject to change without notice. Cann Systems can accept no responsibility for possible errors in catalogs, brochures or any other printed material.

📍 **Cann Systems**
12 Stevens Rd
Brewer, ME 04412

🌐 www.cansystems.com
✉ info@cansystems.com
☎ 303-300-1100